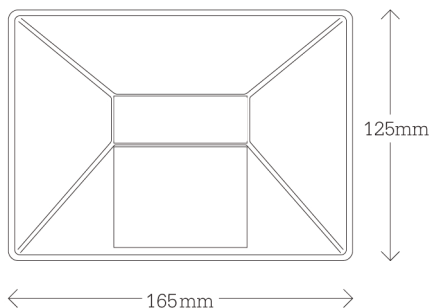


Technical Specification Sheet

Deaf Message Service (DMS)



Dimensions and weight

- Overall height: 125mm
- Width: 165mm
- Depth: 55 mm
- Packed kit weight: 455g
- Product weight: 300g

Material and Operating specifications

- Casing: ABS
- Operating temperature: - 20°C to +70°C
- Standard operating temperature 22°C
- RoHS, WEEE: All hardware components are fully compliant with the EU RoHS and WEEE Directives
- SIM Interface: Supported SIM cards: 3V

Supply voltage requirements

- Input Voltage range 6-30V DC
- Power Supply current rating: min. 1.2A @ 12V
- Power Supply ripple: max. 120mV
- Input current in idle mode: 20mA @ 12V
- Input average current in communication mode: 100mA @ 12V

Approvals and Standards

- Trigger: alarms installed to BS 5839 Part 1

Features and Benefits

- Powered by Motorola
- Interfaces with Amp powered from an existing fire alarm control panel
- Connects to all Mobile Networks
- Easily installed retro-fit solution with no additional equipment required
- Automatic weekly self-test
- Maintenance service provided
- Inhibit button for weekly fire bell tests
- Unlimited range
- Socially responsible product
- Cost effective solution

Operating frequency

- Transmitter output power: GSM-850/900: The modem in GSM-850/900 operating mode is class 4 in accordance with the specification which determines the nominal 2W peak RF power (+33dBm) on 50 Ohm
- DCS-1800/PCS-1900: The modem in DCS-1800/PCS-1900 operating mode are of class 1 in accordance with the specifications which determine the nominal 1W peak RF power (9+30dBm) on 50 Ohm
- Reference Sensitivity: GSM-850/900: The sensitivity of the modem according to the specifications for the class 4 GSM-850/900 portable terminals is 107dBm typical in normal operating conditions
- DCS-1800/PCS-1900: The sensitivity of the modem according to the specifications for the class 1 portable terminals DCS-1800/PCS1900 is -106 dBm typical in normal operating conditions

Fireco reserve the right to alter specifications without prior notification.

Carriage terms:

For all offshore and overseas destinations carriage available on request. Goods are dispatched on receipt of agreed payment method. Please allow 5 to 10 working days for delivery (UK only). E&OE. See terms and conditions at www.deafmessageservice.com or call 01273 320 680